



HOLDER

THE NEW STANDARD IN SWEEPING.

SX 1200 SWEEPER-SUCTION COMBINATION
FOR THE HOLDER B AND C SERIES



HOPPER

Hopper, gross	1.2 m ³
Hopper, net	0.8 m ³
Fresh water tank	220 l
Recycled water	Approx. 150 l
Total height incl. carrier vehicle	From 2130 mm
Total outer width incl. carrier vehicle	From 1130 mm

BRUSH SYSTEM

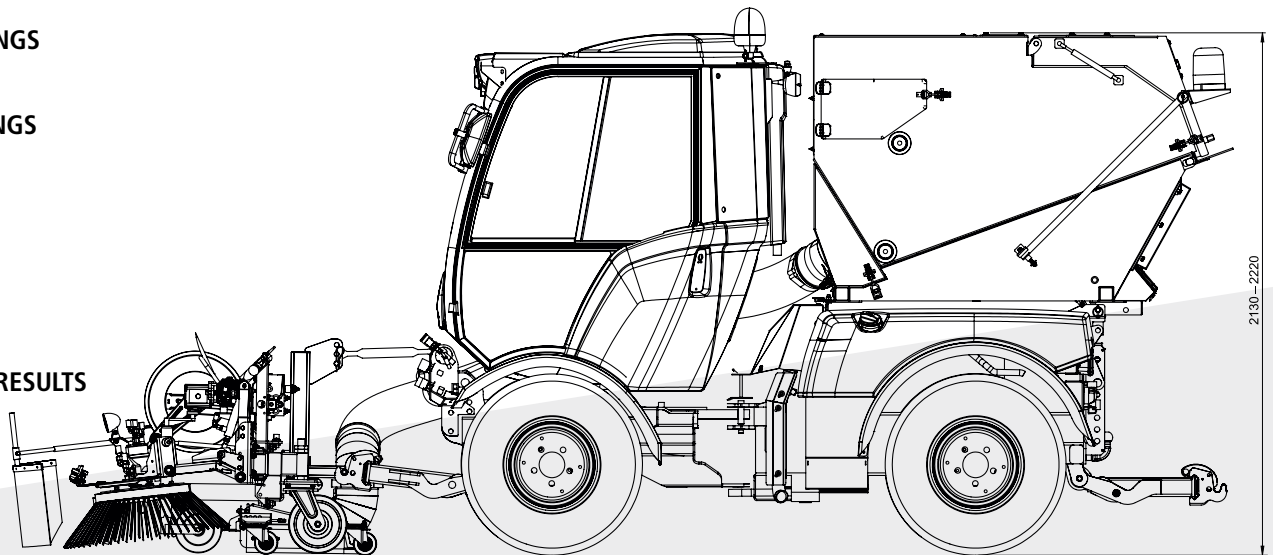
Plate brush diameter	900 mm
Sweeping width for suction mouth coverage	2100 mm

CARRIER VEHICLES

Holder B 55 SC / C 55 SC	✓
Holder C 65 SC	✓
Holder C 70 SC	✓

YOUR BENEFITS

- € COST SAVINGS
- 🕒 TIME SAVINGS
- ⚠️ SAFETY
- 😊 COMFORT
- 👍 WORKING RESULTS



HOPPER

- € Robust aluminium container with usable container volume of 0.8 m³
- € Noise and fuel reduction since the maximum suction is reached at just 2000 rpm
- 😊
- 👍 Optimum dust binding thanks to the intelligent circulating water system: The circulating water in the dirt tank flows back into the dirty water tank and is moved into the suction hose for dust binding
- €
- 🕒 Can be used for extended working periods even in dry conditions thanks to its large fresh water tank (220 l)
- 👍
- 😊 Integrated high-pressure cleaner with automatic hose reel for cleaning the vehicle or difficult-to-reach objects, 15 l/min at 150 bar
- € Hand-held suction hose with fresh water injection
- ⚠️
- 😊 Rear-view camera for safety and an overview of your surroundings when sweeping

BRUSH SYSTEM

- € Flexibly adaptable sweeper with individual brush control and parallel control; for example, to sweep out parking spaces
- 👍
- 😊 Protection of the brushes and improved sweeping results thanks to the left- and right-hand independent hydraulic brush relief
- 👍
- 👍 Right- or left-hand brush optionally available as a weed brush with hydraulic inclination adjustment
- 👍 Optimum dust binding thanks to the integrated fresh water nozzles on the brushes and on the suction mouth
- 👍 Maximum sweeping width even when the suction mouth is mostly covered and optimum collection of swept material thanks to the 74 cm-wide stainless steel suction mouth
- 👍 Simple collection of litter and leaves thanks to the electric coarse debris flap
- 😊 Single-handed operation: All operating elements are clearly arranged on the armrest

