



# HOLDER

## THE NEW STANDARD IN SWEEPING.

SX 1200 SWEEPER-SUCTION COMBINATION  
FOR THE HOLDER C SERIES



### HOPPER

Hopper, gross	1.2 m <sup>3</sup>
Hopper, net	0.8 m <sup>3</sup>
Fresh water tank	220 l
Recycled water	Approx. 150 l
Total height incl. carrier vehicle	From 2130 mm
Total outer width incl. carrier vehicle	From 1130 mm

### BRUSH SYSTEM

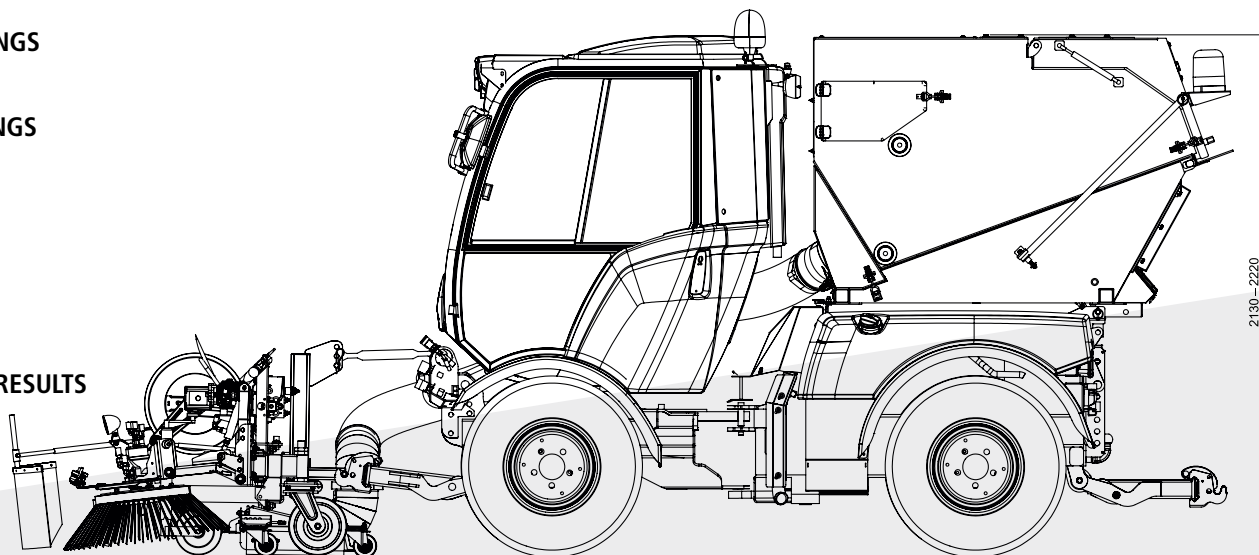
Plate brush diameter	720 mm
Sweeping width for suction mouth coverage	1600 mm

### CARRIER VEHICLES

Holder C 250	✓
Holder C 270	✓
Holder C 70 SC	✓

# YOUR BENEFITS

- € COST SAVINGS
- 🕒 TIME SAVINGS
- ⚠️ SAFETY
- 😊 COMFORT
- 👍 WORKING RESULTS



## HOPPER

- € Robust aluminium container with usable container volume of 0.8 m<sup>3</sup>
- € Noise and fuel reduction since the maximum suction is reached at just 2000 rpm
- 😊
- 👍 Optimum dust binding thanks to the intelligent circulating water system: The circulating water in the dirt tank flows back into the dirty water tank and is moved into the suction hose for dust binding
- €
- 🕒 Can be used for extended working periods even in dry conditions thanks to its large fresh water tank (220 l)
- 👍
- 😊 Integrated high-pressure cleaner with automatic hose reel for cleaning the vehicle or difficult-to-reach objects, 15 l/min at 150 bar
- € Hand-held suction hose with fresh water injection
- ⚠️
- 😊 Rear-view camera for safety and an overview of your surroundings when sweeping

## BRUSH SYSTEM

- € Flexibly adaptable sweeper with individual brush control and parallel control; for example, to sweep out parking spaces
- 👍
- 😊 Protection of the brushes and improved sweeping results thanks to the left- and right-hand independent hydraulic brush relief
- 👍
- 👍 Right- or left-hand brush optionally available as a weed brush with hydraulic inclination adjustment
- 👍 Optimum dust binding thanks to the integrated fresh water nozzles on the brushes and on the suction mouth
- 👍 Maximum sweeping width even when the suction mouth is mostly covered and optimum collection of swept material thanks to the 74 cm-wide stainless steel suction mouth
- 👍 Simple collection of litter and leaves thanks to the electric coarse debris flap
- 😊 Single-handed operation: All operating elements are clearly arranged on the armrest

